

# MOD:XAFT-03HS-LGDN



## ENGLISH

## TECHNICAL DATA

01 POWER	1,44 kW
03 FREQUENCY	60 Hz
04 POWER SUPPLY CABLE TYPE	SJTO
05 EXTERNAL Ø OF POWER SUPPLY CABLE	0,39" / 10 mm
06 VOLTAGE / POWER CABLE SECTION / CURRENT	120 V~1PH+PE 3 x AWG14 Recommended size - Observe local ordinances Circuit Breaker 15 A I1=12 A - I2= - I3= - In=
11 MAX FOOD LOAD	31 lbs / 14 kg
02 NOMINAL HEAT INPUT	1,23 kW
18 CAVITY DIMENSIONS ( W - D - H )	(19-9/16") 496x(13-3/4") 349x(10-1/4") 260 mm
20 IP PROTECTION CLASS	X4

## ITALIANO

01 POTENZA	1,44 kW
03 FREQUENZA	60 Hz
04 TIPO DI CAVO ALIMENTAZIONE	SJTO
05 Ø ESTERNO CAVO DI ALIMENTAZIONE	0,39" / 10 mm
06 TENSIONE / SEZIONE CAVI ALIMENTAZIONE / CORRENTE	120 V~1PH+PE 3 x AWG14 Recommended size - Observe local ordinances Circuit Breaker 15 A I1=12 A - I2= - I3= - In=
11 CARICA MAX CIBO	31 lbs / 14 kg
02 POTENZA TERMICA NOMINALE	1,23 kW
18 DIMENSIONI CAMERA COTTURA ( L - P - H )	(19-9/16") 496x(13-3/4") 349x(10-1/4") 260 mm
20 GRADO PROTEZIONE IP	X4

## FRANCAIS

01 PUISSANCE ELECTRIQUE	1,44 kW
03 FREQUENCE	60 Hz
04 TYPE DE CABLE D'ALIMENTATION	SJTO
05 Ø EXTERNE DU CABLE D'ALIMENTATION	0,39" / 10 mm
06 TENSION / SECTION CABLE D'ALIM.	120 V~1PH+PE 3 x AWG14 Recommended size - Observe local ordinances Circuit Breaker 15 A I1=12 A - I2= - I3= - In=
11 CHARGE MAXIMALE D'ALIMENT	31 lbs / 14 kg
02 DEBIT THERMIQUE NOMINAL	1,23 kW
18 DIMENSIONS CHAMBRE DE CUISSON ( L - P - A )	(19-9/16") 496x(13-3/4") 349x(10-1/4") 260 mm
20 INDICE DE PROTECTION IP	X4

## ESPAÑOL

01 POTENCIA	1,44 kW
03 FRECUENCIA	60 Hz
04 TIPO DE CABLE DE ALIMENTACION	SJTO
05 Ø CABLE EXTERNO DE ALIMENTACION	0,39" / 10 mm
06 TENSION / SECCION CABLES DE ALIMENTACION	120 V~1PH+PE 3 x AWG14 Recommended size - Observe local ordinances Circuit Breaker 15 A I1=12 A - I2= - I3= - In=
11 CARGA MAX. DE ALIMENTOS	31 lbs / 14 kg
02 POTENCIA TERMICA NOMINAL	1,23 kW
18 DIMENSIONES CÁMARA DE COCCIÓN ( An - Pr - Al )	(19-9/16") 496x(13-3/4") 349x(10-1/4") 260 mm
20 GRADO DE PROTECCION IP	X4

## DEUTSCH

01 ELEKTRISCHE LEISTUNG	1,44 kW
03 FREQUENZ	60 Hz
04 ZULEITUNGSKABELTYP	SJTO
05 AUSSENDURCHMESSER DES VERSORGUNGSKABELS	0,39" / 10 mm
06 KABELQUERSCHNITT UND VERSORGUNGSSPANNUNG	120 V~1PH+PE 3 x AWG14 Recommended size - Observe local ordinances Circuit Breaker 15 A I1=12 A - I2= - I3= - In=
11 MAX. SPEISENFASSUNGSVERMOGEN	31 lbs / 14 kg
02 NOMINALE WARMELEISTUNG	1,23 kW
18 GRÖÖBE DES KOCHKAMMERS ( B - T - H )	(19-9/16") 496x(13-3/4") 349x(10-1/4") 260 mm
20 SCHTZART IP	X4



# MOD:XAFT-03HS-LGDN



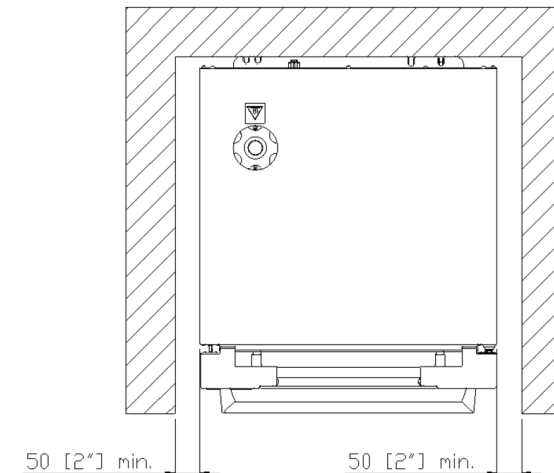
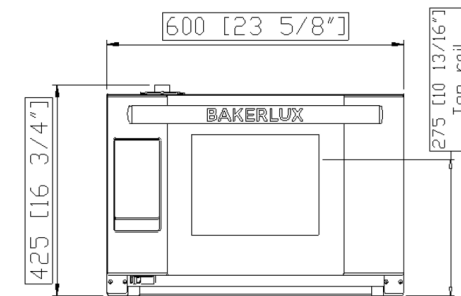
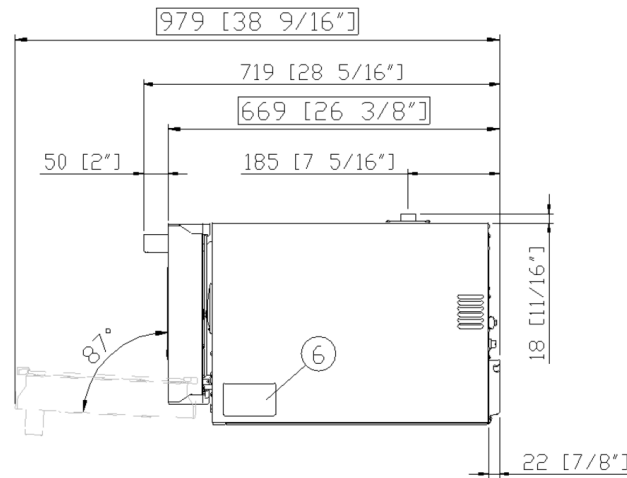
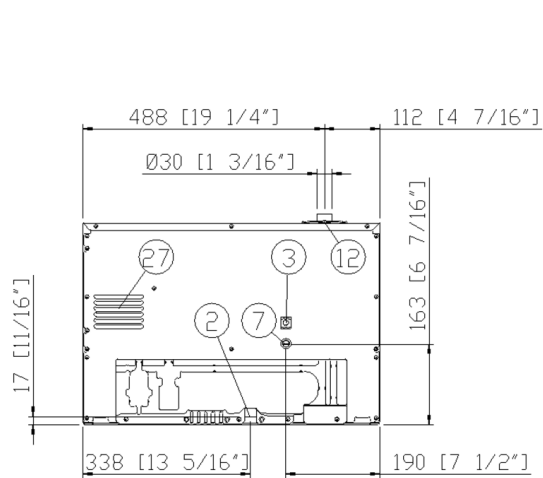
ENGLISH - DRAWINGS	
2	TERMINAL BOARD POWER SUPPLY
3	UNIPOTENTIAL TERMINAL
6	TECHNICAL DATA PLATE
7	SAFETY THERMOSTAT
11	CAVITY DRAIN PIPE
12	HOT FUMES EXHAUST CHIMNEY
13	ACCESSORIES CONNECTION
27	COOLING AIR OUTLET

ITALIANO - DISEGNI	
2	MORSETTIERA ALIMENTAZIONE
3	MORSETTO EQUIPOTENZIALE
6	TARGHETTA DATI TECNICI
7	TERMOSTATO DI SICUREZZA
11	SCARICO CAMERA DI COTTURA
12	USCITA FUMI CALDI
13	COLLEGAMENTO ACCESSORI
27	USCITA ARIA DI RAFFREDDAMENTO

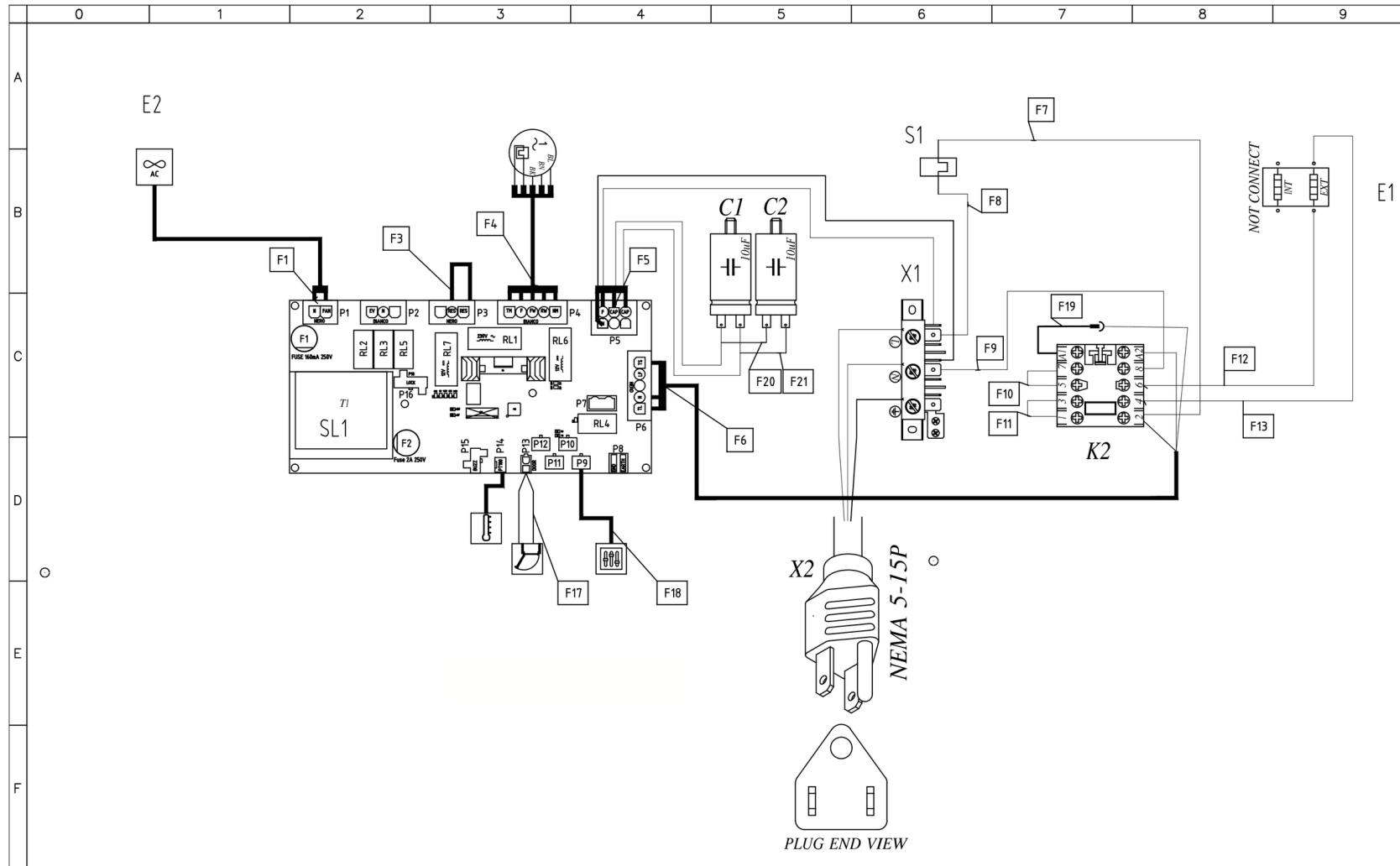
FRANCAIS - ENCOMBREMEN	
2	BOITE A BORNES D'ALIMENTATION
3	SUPPORT BORNE EQUIPOTENTIELLE
6	PLAQUETTE SEGNALTIQUE
7	THERMOSTAT DE SECURITE
11	SORTIE DE L'EAU RACCORD
12	SORTIE DES FUMEEES CHAUDES
13	JONCTION DES ACCESSOIRES
27	SORTIE D'EAU DE REFROIDISSEMENT

ESPAÑOL - DISEÑOS	
2	CAJA DE CONEXION
3	SEDE BORNE EQUIPOTENCIAL
6	TARJETA DE CARACTERISTICAS TECNICAS
7	TERMOSTATO DE SEGURIDAD
11	DESCARGA CAMARA DE COCCION
12	SALIDA HUMOS CALIENTES
13	CONEXION ACCESORIOS
27	SALIDA DEL AIRE DE ENFRIAMIENTO

DEUTSCH - ZEICHNUNGEN	
2	ZULEITUNGSKLEMMLEISTE
3	GLEICHPOTENTIELLE KLAMMER
6	TYPENSCHILD
7	SICHERHEITSTHERMOSTAT
11	WASSERAUSLASS GEWINDE
12	ABZUGSHAUBE
13	ZUBEHÖRTEILENVERBINDUNG
27	KÜHLLUFTAustrITT



# MOD:XAFT-03HS-LGDN



# MOD:XAFT-03HS-LGDN



	0	1	2	3	4	5	6	7	8	9																																																																																		
A																																																																																												
B																																																																																												
C	<table border="1"> <thead> <tr> <th>Sigle</th> <th>ENGLISH</th> <th>ITALIANO</th> <th>FRANCAIS</th> <th>ESPAÑOL</th> <th>DEUTSCH</th> </tr> </thead> <tbody> <tr> <td>C1,C2</td> <td>MOTOR CAPACITOR</td> <td>CONDENSATORE</td> <td>CONDENSATEUR</td> <td>CONDENSADOR</td> <td>KONDENSATOR</td> </tr> <tr> <td>K2</td> <td>CONTACTOR</td> <td>TELERUTTORE</td> <td>TELERUPTEUR</td> <td>TELERRUPTOR</td> <td>RELAIS</td> </tr> <tr> <td>SL1</td> <td>POWER CARD</td> <td>SCHEDA POTENZA</td> <td>CARTE DE PUISSANCE</td> <td>TARJETA POTENCIA</td> <td>POWERPLATINE</td> </tr> <tr> <td>X1</td> <td>CONTACTOR</td> <td>MORSETTIERA</td> <td>BORNIER</td> <td>CONECTOR</td> <td>KLEMMLEISTE</td> </tr> <tr> <td>X2</td> <td>POWER CORD + NEMA 5-15P</td> <td>CAVO ALIMENTAZIONE + NEMA 5-15P</td> <td>E'PINIE'RE ET NEMA 5-15P</td> <td>CABLE Y ENCHUFE NEMA 5-15P</td> <td>KABEL UND NEMA 5-15P-STECKER</td> </tr> <tr> <td>B1</td> <td>TEMPERATURE PROBE</td> <td>SONDA CAMERA</td> <td>SONDE DE CHAMBRE</td> <td>SONDA CAMARA</td> <td>GARRAUMTEMPERATURFUHLER</td> </tr> <tr> <td>E1</td> <td>HEATING ELEMENT</td> <td>ELEMENTO RISCALDANTE</td> <td>ELEMENT DE CHAUFFAGE</td> <td>RESISTENCIA DE CALEFACCIÓN</td> <td>HEIZUNG</td> </tr> <tr> <td>E2</td> <td>COOLING FAN 230V</td> <td>VENTOLA RAFFREDDAMENTO 230V</td> <td>TURBINE DE REFROIDISSEMENT 230V</td> <td>TURBINA DE REFRIGERACION 230V</td> <td>LÜFTER 230V</td> </tr> <tr> <td>D</td> <td>M1</td> <td>MOTOR</td> <td>MOTORE</td> <td>MOTEUR</td> <td>MOTOR</td> <td>MOTOR</td> </tr> <tr> <td></td> <td>S1</td> <td>SAFETY THERMOSTAT</td> <td>TERMOSTATO SICUREZZA</td> <td>THERMOSTAT DE SECURITE</td> <td>TERMOSTATO DE SEGURIDAD</td> <td>SICHERHEITS THERMOSTAT</td> </tr> <tr> <td></td> <td>S2</td> <td>DOOR MICROSWITCH</td> <td>MICRO INTERRUPTORE PORTA</td> <td>MICROINTERRUPTEUR DE PORTE</td> <td>MICROINTERRUPTOR PUERTA</td> <td>TURKONTAKTSCHALTER</td> </tr> <tr> <td></td> <td>SL1</td> <td>CONTROL BOARD</td> <td>SCHEDA CONTROLLO</td> <td>CARTE DE CONTROLE</td> <td>TARJETA DE CONTROL</td> <td>KONTROLL PLATINE</td> </tr> </tbody> </table>	Sigle	ENGLISH	ITALIANO	FRANCAIS	ESPAÑOL	DEUTSCH	C1,C2	MOTOR CAPACITOR	CONDENSATORE	CONDENSATEUR	CONDENSADOR	KONDENSATOR	K2	CONTACTOR	TELERUTTORE	TELERUPTEUR	TELERRUPTOR	RELAIS	SL1	POWER CARD	SCHEDA POTENZA	CARTE DE PUISSANCE	TARJETA POTENCIA	POWERPLATINE	X1	CONTACTOR	MORSETTIERA	BORNIER	CONECTOR	KLEMMLEISTE	X2	POWER CORD + NEMA 5-15P	CAVO ALIMENTAZIONE + NEMA 5-15P	E'PINIE'RE ET NEMA 5-15P	CABLE Y ENCHUFE NEMA 5-15P	KABEL UND NEMA 5-15P-STECKER	B1	TEMPERATURE PROBE	SONDA CAMERA	SONDE DE CHAMBRE	SONDA CAMARA	GARRAUMTEMPERATURFUHLER	E1	HEATING ELEMENT	ELEMENTO RISCALDANTE	ELEMENT DE CHAUFFAGE	RESISTENCIA DE CALEFACCIÓN	HEIZUNG	E2	COOLING FAN 230V	VENTOLA RAFFREDDAMENTO 230V	TURBINE DE REFROIDISSEMENT 230V	TURBINA DE REFRIGERACION 230V	LÜFTER 230V	D	M1	MOTOR	MOTORE	MOTEUR	MOTOR	MOTOR		S1	SAFETY THERMOSTAT	TERMOSTATO SICUREZZA	THERMOSTAT DE SECURITE	TERMOSTATO DE SEGURIDAD	SICHERHEITS THERMOSTAT		S2	DOOR MICROSWITCH	MICRO INTERRUPTORE PORTA	MICROINTERRUPTEUR DE PORTE	MICROINTERRUPTOR PUERTA	TURKONTAKTSCHALTER		SL1	CONTROL BOARD	SCHEDA CONTROLLO	CARTE DE CONTROLE	TARJETA DE CONTROL	KONTROLL PLATINE									
Sigle	ENGLISH	ITALIANO	FRANCAIS	ESPAÑOL	DEUTSCH																																																																																							
C1,C2	MOTOR CAPACITOR	CONDENSATORE	CONDENSATEUR	CONDENSADOR	KONDENSATOR																																																																																							
K2	CONTACTOR	TELERUTTORE	TELERUPTEUR	TELERRUPTOR	RELAIS																																																																																							
SL1	POWER CARD	SCHEDA POTENZA	CARTE DE PUISSANCE	TARJETA POTENCIA	POWERPLATINE																																																																																							
X1	CONTACTOR	MORSETTIERA	BORNIER	CONECTOR	KLEMMLEISTE																																																																																							
X2	POWER CORD + NEMA 5-15P	CAVO ALIMENTAZIONE + NEMA 5-15P	E'PINIE'RE ET NEMA 5-15P	CABLE Y ENCHUFE NEMA 5-15P	KABEL UND NEMA 5-15P-STECKER																																																																																							
B1	TEMPERATURE PROBE	SONDA CAMERA	SONDE DE CHAMBRE	SONDA CAMARA	GARRAUMTEMPERATURFUHLER																																																																																							
E1	HEATING ELEMENT	ELEMENTO RISCALDANTE	ELEMENT DE CHAUFFAGE	RESISTENCIA DE CALEFACCIÓN	HEIZUNG																																																																																							
E2	COOLING FAN 230V	VENTOLA RAFFREDDAMENTO 230V	TURBINE DE REFROIDISSEMENT 230V	TURBINA DE REFRIGERACION 230V	LÜFTER 230V																																																																																							
D	M1	MOTOR	MOTORE	MOTEUR	MOTOR	MOTOR																																																																																						
	S1	SAFETY THERMOSTAT	TERMOSTATO SICUREZZA	THERMOSTAT DE SECURITE	TERMOSTATO DE SEGURIDAD	SICHERHEITS THERMOSTAT																																																																																						
	S2	DOOR MICROSWITCH	MICRO INTERRUPTORE PORTA	MICROINTERRUPTEUR DE PORTE	MICROINTERRUPTOR PUERTA	TURKONTAKTSCHALTER																																																																																						
	SL1	CONTROL BOARD	SCHEDA CONTROLLO	CARTE DE CONTROLE	TARJETA DE CONTROL	KONTROLL PLATINE																																																																																						
E																																																																																												
F																																																																																												